

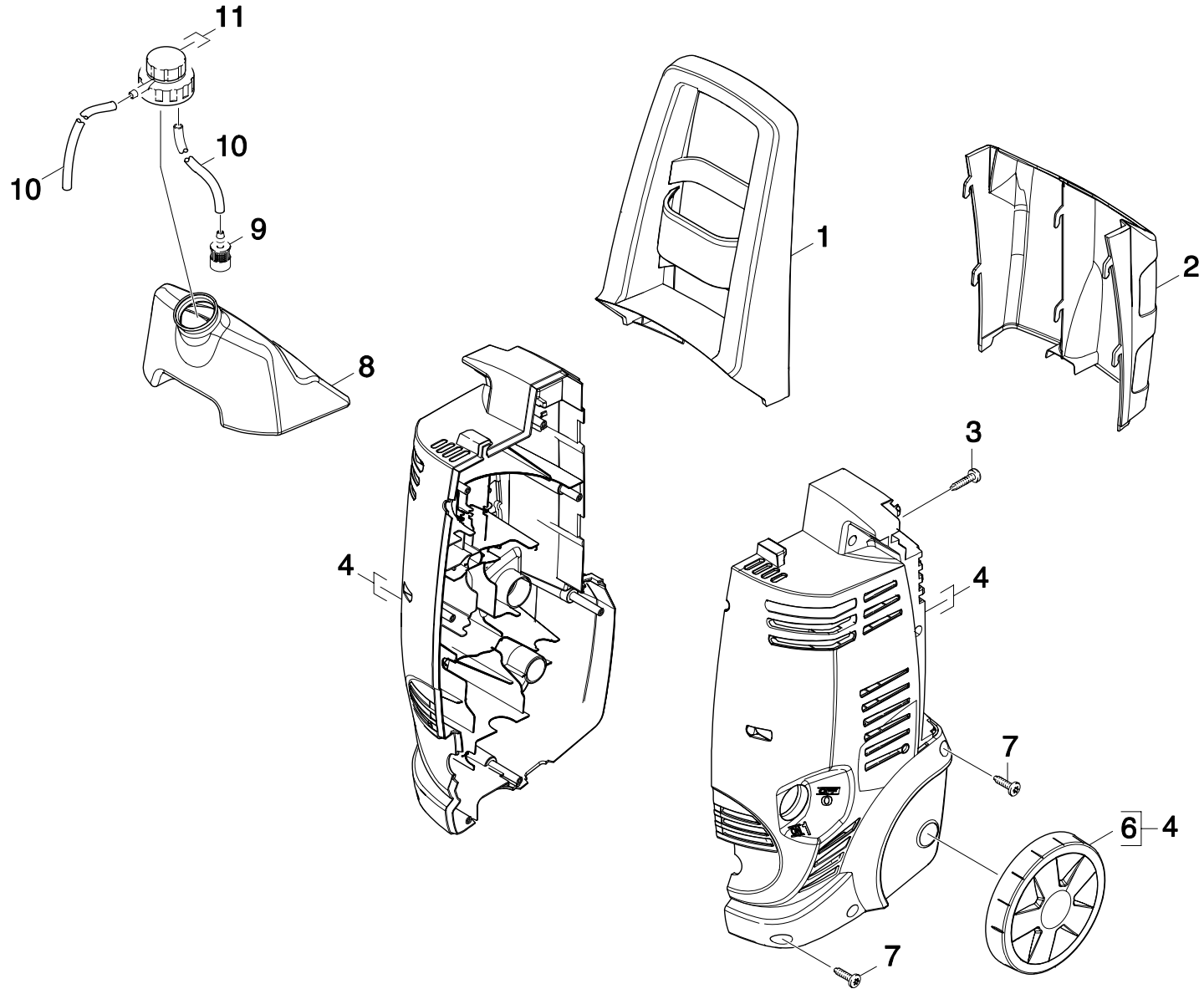
Ersatzteilliste
Spare Parts List
Liste des pieces de rechange

1.636-121.0 K 3.86 M-PLUS

1.636-122.0 K 3.86 M



HOUSING



HOUSING

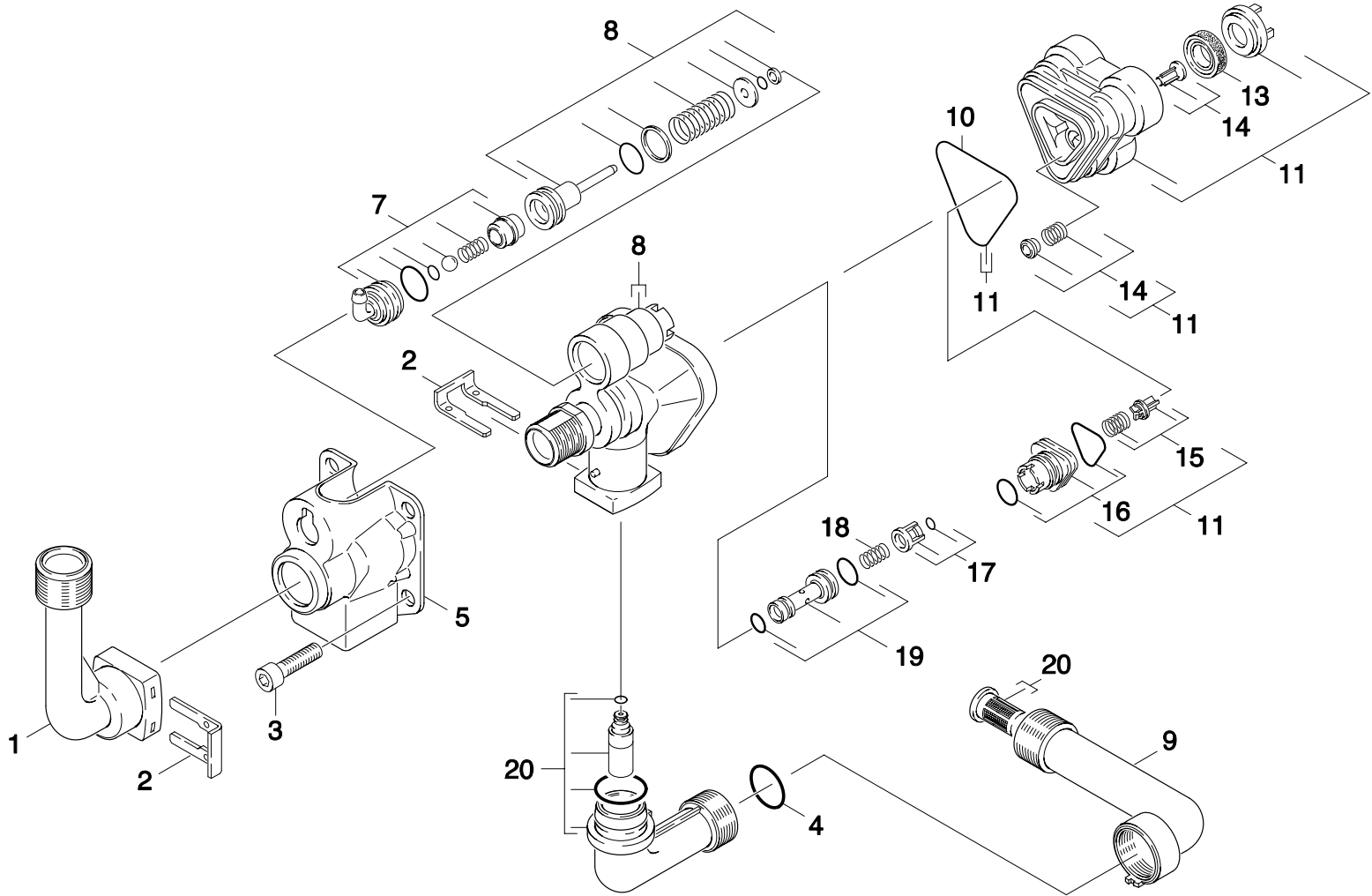
POS ITM. POS.	BENENNUNG DESCRIPTION DESIGNATION	TEILE-NR PART-NO NO. PIECE	STCK QTY. NBR	AB WERK-NR FROM SERIAL-NO TO SERIAL-NO	BIS WERK-NR
---------------------	---	----------------------------------	---------------------	---	-------------

0001	HANDLE K3.86M	9.037-068.0	1,000		
0002	ACCESSORIES BRACKET	9.037-069.0	1,000		
0003	SCREW 4 X 20	9.086-182.0	2,000		
0004	HOUSING K3.86M	9.012-025.0	1,000		
0006	WHEEL SET	9.001-260.0	1,000		
0007	SCREW HI-LO 4X22	9.086-173.0	7,000		
0008	TANK K3.86M	9.037-070.0	1,000		
0009	FILTER	5.731-609.0	1,000		
0010	HOSE (TO ORDER AS CUT GOODS)	6.388-216.0	1,000		
0011	COVER RM-TANK KPL.	4.063-807.0	1,000		

PUMP-SET



HOUSING

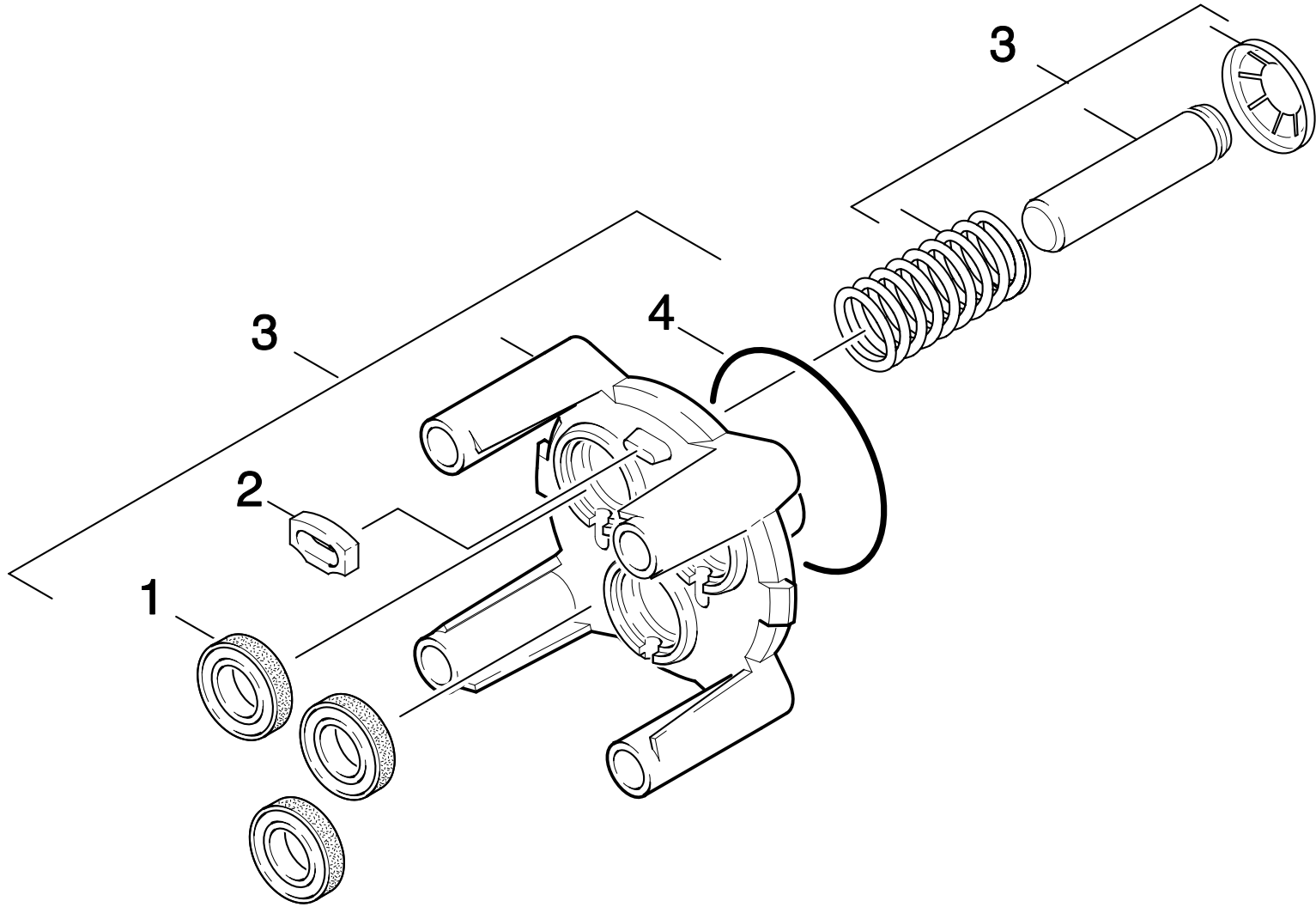


HOUSING

POS ITM. POS.	BENENNUNG DESCRIPTION DESIGNATION	TEILE-NR PART-NO NO. PIECE	STCK QTY. NBR	AB WERK-NR FROM SERIAL-NO TO SERIAL-NO	BIS WERK-NR
---------------------	---	----------------------------------	---------------------	---	-------------

0001	CONNECTION	9.036-703.0	1,000		
0002	CLAMP	9.039-148.0	2,000		
0003	SCREW	9.086-200.0	4,000		
0004	GASKET	9.081-421.0	1,000		
0005	PUMP FLANGE	9.039-166.0	1,000		
0007	CLEANING MATERIAL	9.011-285.0	1,000		
0008	SPARE PARTS SET	9.001-267.0	1,000	FOR ELECTRIC-BOX VERSION 1	
0008	SPARE PARTS SET	9.001-216.0	1,000	FOR ELECTRIC-BOX VERSION 2	
0009	SUCTION	9.011-889.0	1,000		
0010	FORM SEAL	9.081-422.0	1,000		
0011	SPARE PARTS SET	9.001-215.0	1,000		
0013	GROOVED RING	6.362-875.0	3,000		
0014	MOULDED PART	9.001-110.0	1,000		
0015	VALVESET	9.001-149.0	1,000		
0016	JOINING PIECE	9.001-106.0	1,000		
0017	CAGE	9.001-107.0	1,000		
0018	SPRING	9.047-026.0	1,000		
0019	INJECTOR	9.001-108.0	1,000		
0020	SPARE PARTS SET	9.001-310.0	1,000		

THRUST GUIDANCE



THRUST GUIDANCE

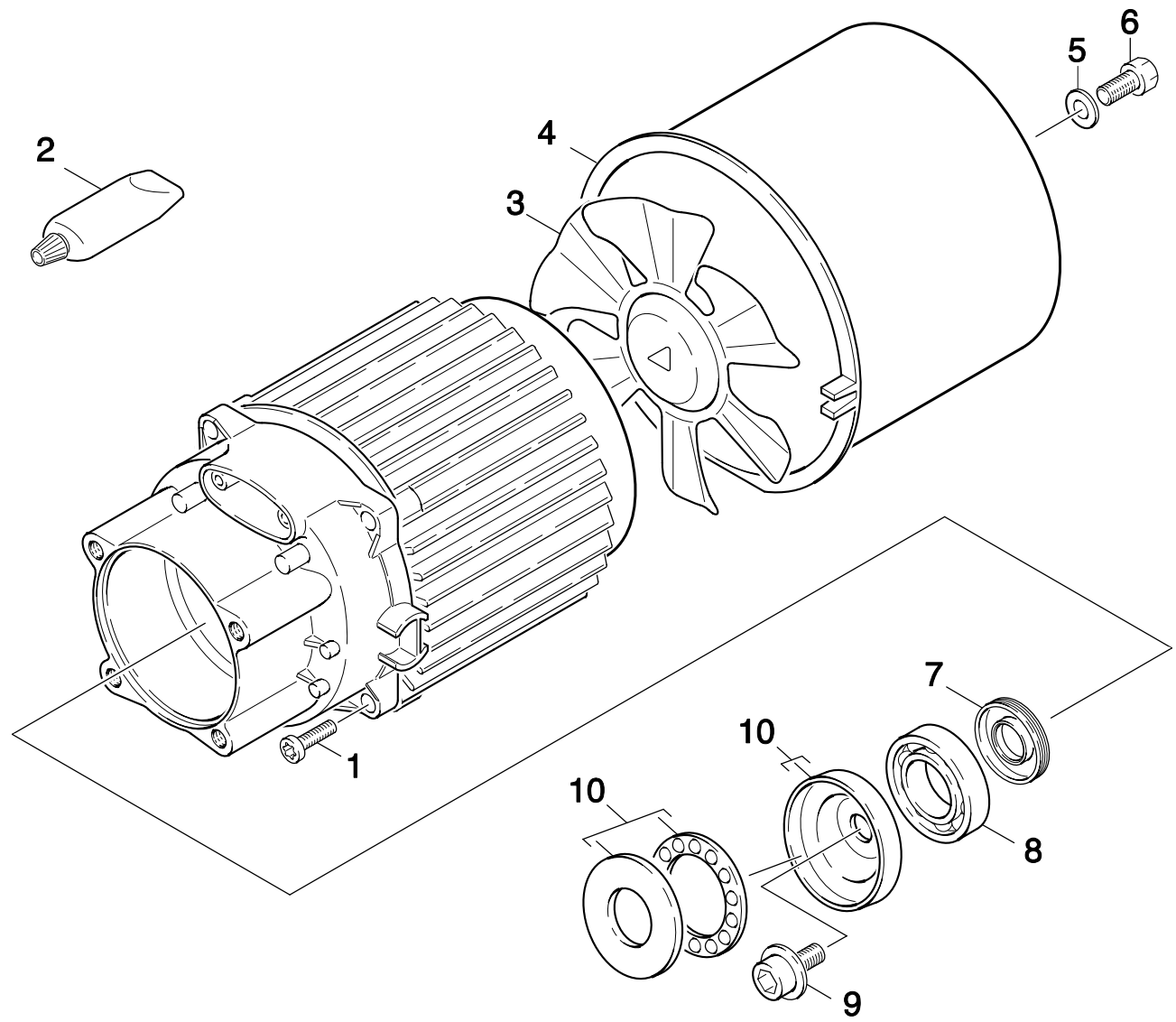
POS ITM. POS.	BENENNUNG DESCRIPTION DESIGNATION	TEILE-NR PART-NO NO. PIECE	STCK QTY. NBR	AB WERK-NR FROM SERIAL-NO TO SERIAL-NO	BIS WERK-NR
---------------------	---	----------------------------------	---------------------	---	-------------

0001	GROOVED RING	6.964-026.0	3,000		
0002	SEAL	9.048-071.0	1,000		
0003	PISTON GUIDANCE	9.001-251.0	1,000		
004	GASKET	6.362 826.0	1,000		

MOTOR



MOTOR



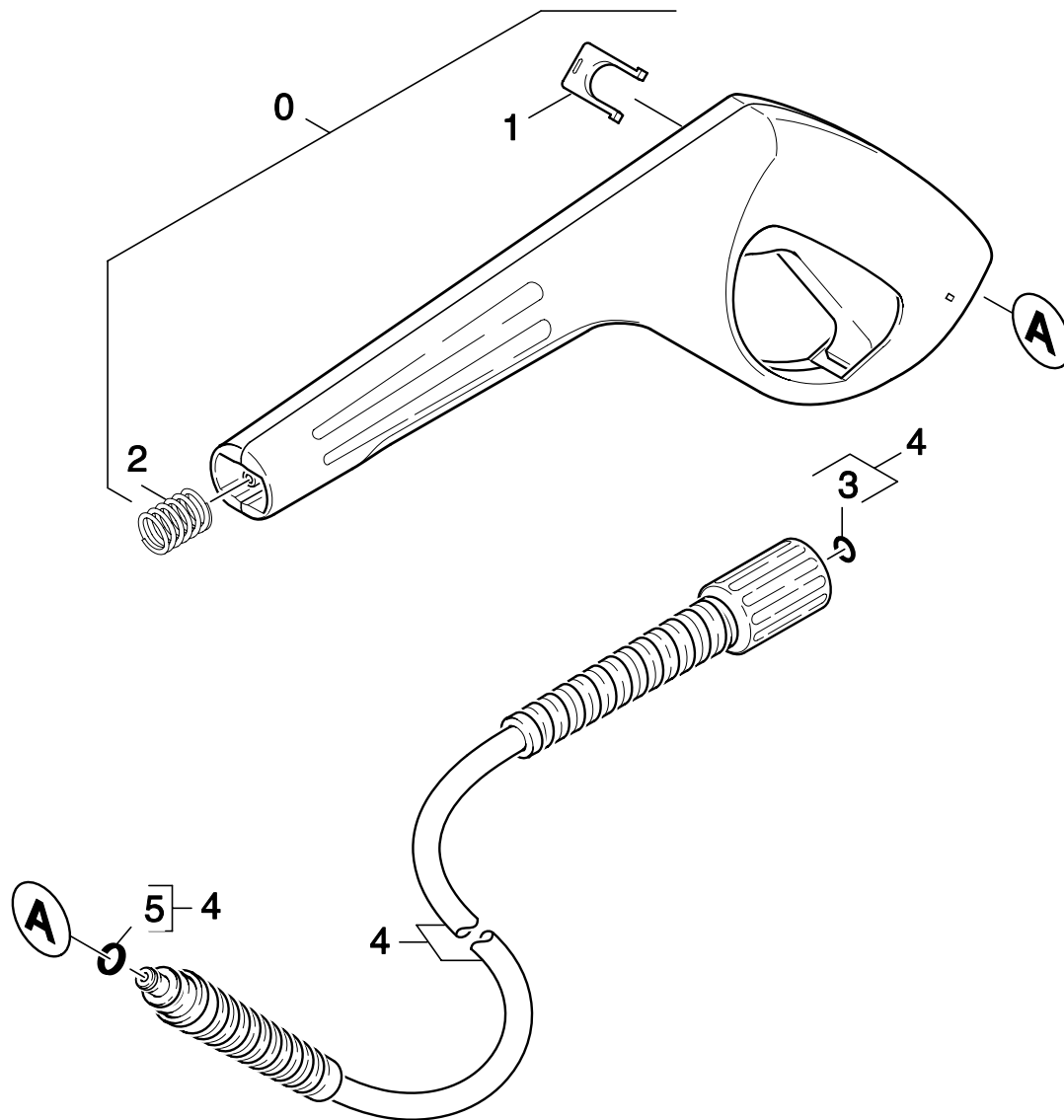
MOTOR

POS ITM. POS.	BENENNUNG DESCRIPTION DESIGNATION	TEILE-NR PART-NO NO. PIECE	STCK QTY. NBR	AB WERK-NR FROM SERIAL-NO TO SERIAL-NO	BIS WERK-NR
---------------------	---	----------------------------------	---------------------	---	-------------

0002	GREASE (50ML)	6.964-092.0	1,000		
0003	MOTOR FAN	9.039-188.0	1,000		
0004	HOUSING	6.964-090.0	1,000		
0005	SERRATED LOCK WASHER	7.312-233.0	1,000		
0006	HEX SCREW	7.304-395.0	1,000		
0007	ROTARY SHAFT SEAL	9.078-007.0	1,000		
0008	BALL BEARING	7.401-010.0	1,000		
0009	SCREW	9.086-169.0	1,000		
0010	SWASH PLATE	9.001-302.0	1,000		



TRIGGER GUN

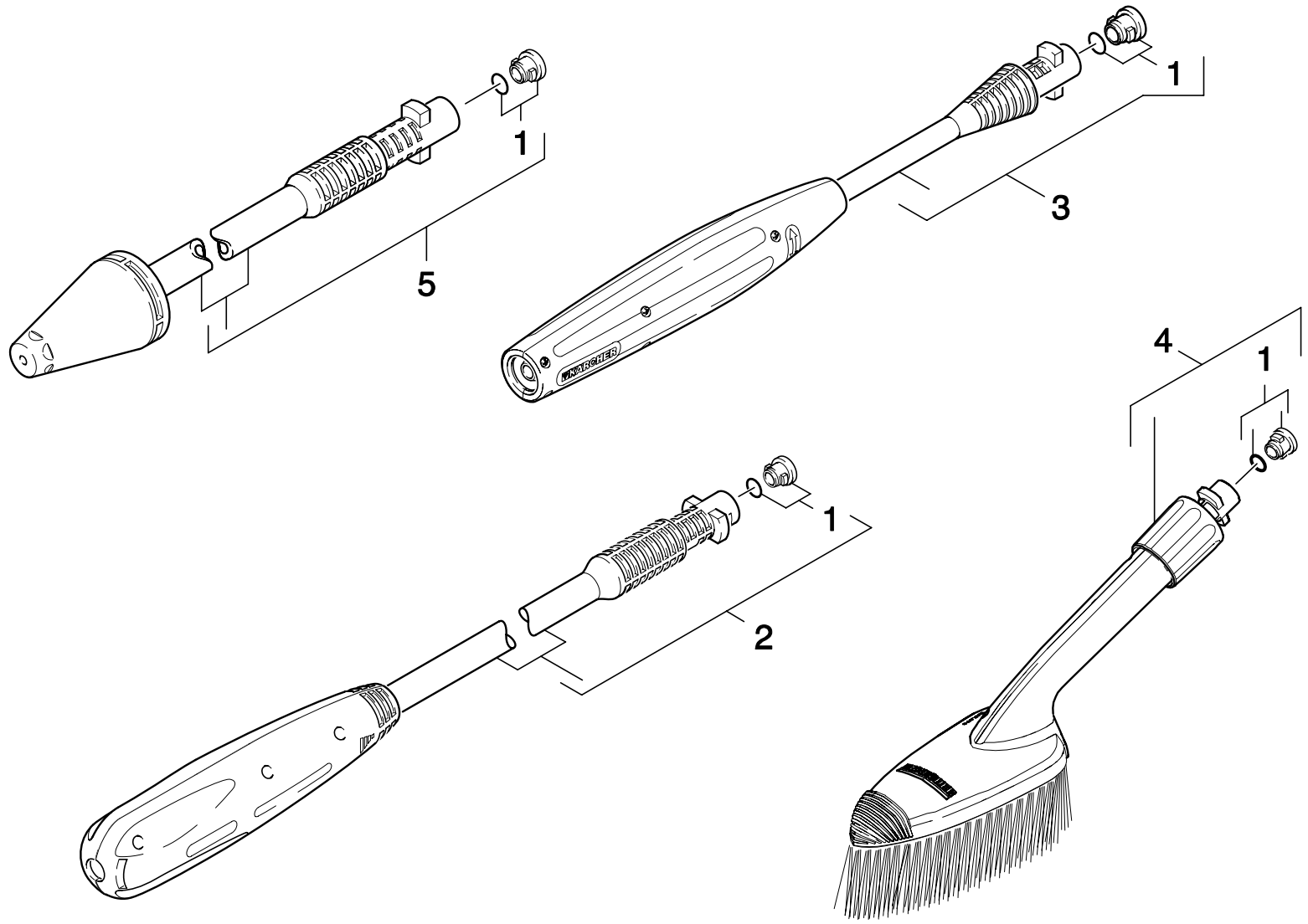


TRIGGER GUN

POS ITM. POS.	BENENNUNG DESCRIPTION DESIGNATION	TEILE-NR PART-NO NO. PIECE	STCK QTY. NBR	AB WERK-NR FROM SERIAL-NO TO SERIAL-NO	BIS WERK-NR
---------------------	---	----------------------------------	---------------------	---	-------------

0000	PISTOL	4.775-389.0	1,000		
0001	CLAMP	5.037-137.0	1,000		
0002	PRESSURE SPRING	5.332-464.0	1,000		
0003	SPARE PARTS KIT	2.880-296.0	1,000		
0004	HOSE	6.390-499.0	1,000		
0005	GASKET	6.363-198.0	1,000		

JET-PIPE



JET-PIPE

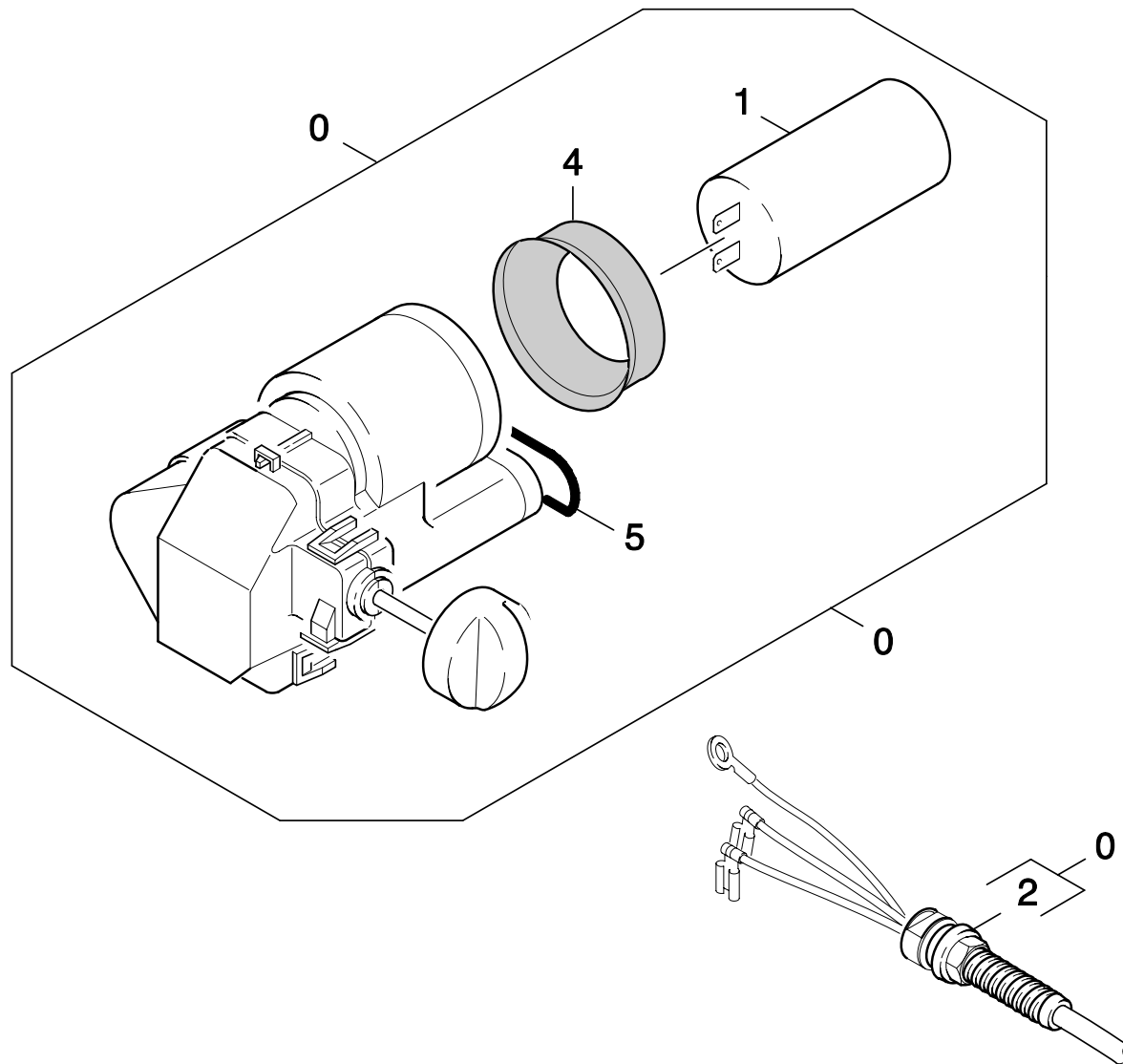
POS ITM. POS.	BENENNUNG DESCRIPTION DESIGNATION	TEILE-NR PART-NO NO. PIECE	STCK QTY. NBR	AB WERK-NR FROM SERIAL-NO TO SERIAL-NO	BIS WERK-NR
---------------------	---	----------------------------------	---------------------	---	-------------

0001	SPARE PARTS SET	2.883-111.0	1,000		
0002	QUADRUPLE NOZZL	4.760-570.0	1,000		
0003	VPS K3 0225	4.760-575.0	1,000		
0004	BRUSH	2.640-589.0	1,000		
0005	ROTARY NOZZLE	4.763-991.0	1,000		

ELECTRIC BOX



ELECTRIC BOX VERSION 1

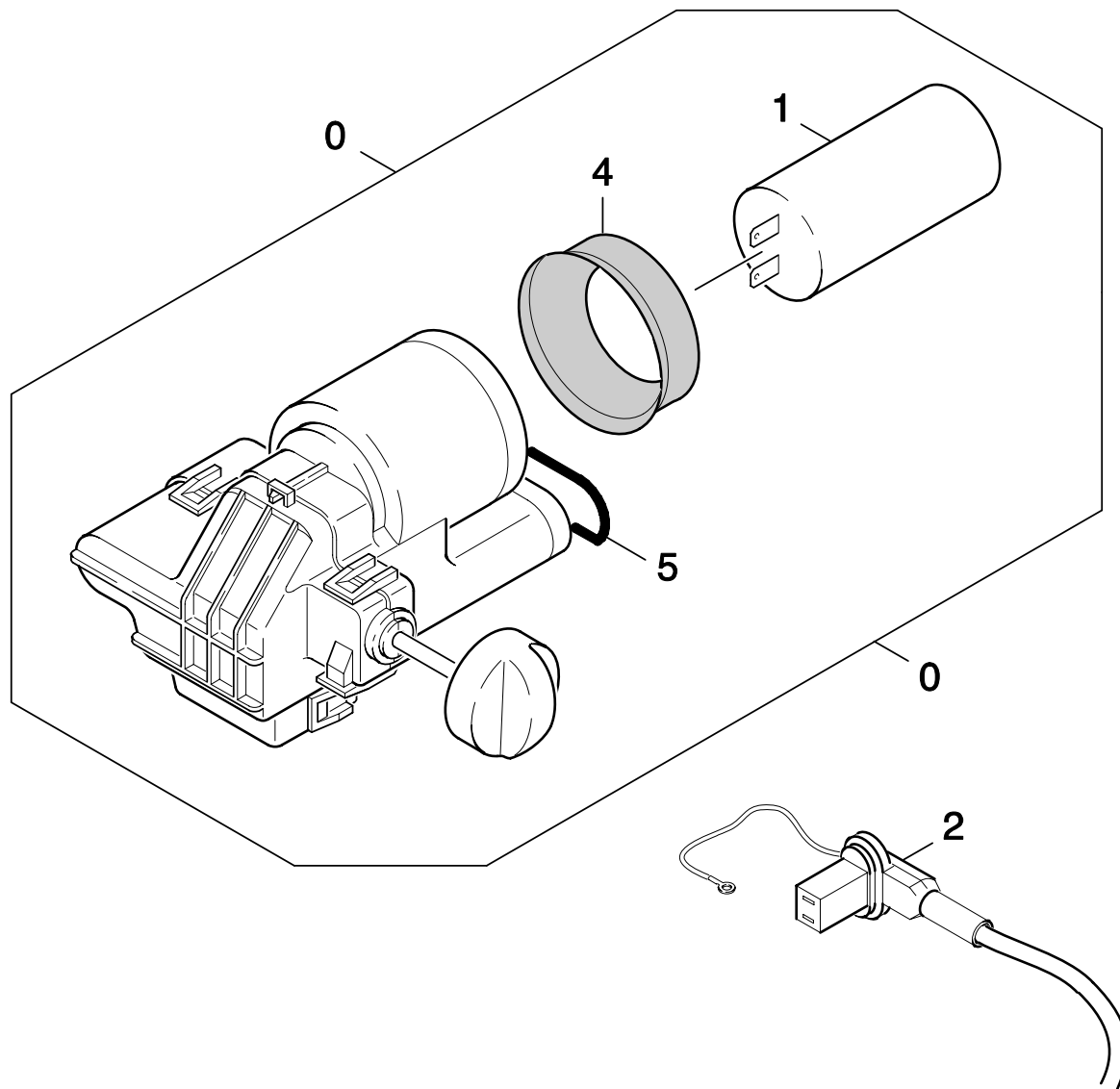


ELECTRIC BOX VERSION 1

POS ITM. POS.	BENENNUNG DESCRIPTION DESIGNATION	TEILE-NR PART-NO NO. PIECE	STCK QTY. NBR	AB WERK-NR FROM SERIAL-NO TO SERIAL-NO	BIS WERK-NR
---------------------	---	----------------------------------	---------------------	---	-------------

0000	ELECTRIC BOX (1.636-121.0 *US)	9.012-033.0	1,000		300.000
0000	ELECTRIC BOX (1.636-122.0 *CA)	9.012-035.0	1,000		300.000
0001	CAPACITOR 60MUEF	6.661-196.0	1,000		300.000
0002	CABLE (1.636-121.0 *US)	9.084-149.0	1,000		300.000
0002	CABLE (1.636-122.0 *CA)	9.084-150.0	1,000		
0004	GASKET	9.080-421.0	1,000		
0005	O-RING	9.081-417.0	1,000		

ELECTRIC BOX VERSION 2



ELECTRIC BOX VERSION 2

POS ITM. POS.	BENENNUNG DESCRIPTION DESIGNATION	TEILE-NR PART-NO NO. PIECE	STCK QTY. NBR	AB WERK-NR FROM SERIAL-NO TO SERIAL-NO	BIS WERK-NR
---------------------	---	----------------------------------	---------------------	---	-------------

0000	ELECTRIC BOX	9.011-604.0	1,000	400.000	
0000	ELECTRIC BOX	9.012-055.0	1,000	300.001	
0001	CAPACITOR 60MUEF	6.661-196.0	1,000		
0002	CABLE (1.636-121.0 *US)	9.084-119.0	1,000	300.001	
0002	CABLE (1.636-122.0 *CA)	9.084-128.0	1,000	300.001	
0004	GASKET	9.080-421.0	1,000		
0005	O-RING	9.081-417.0	1,000		